

NH gG 800V a.c. Fuse-links

General characteristics

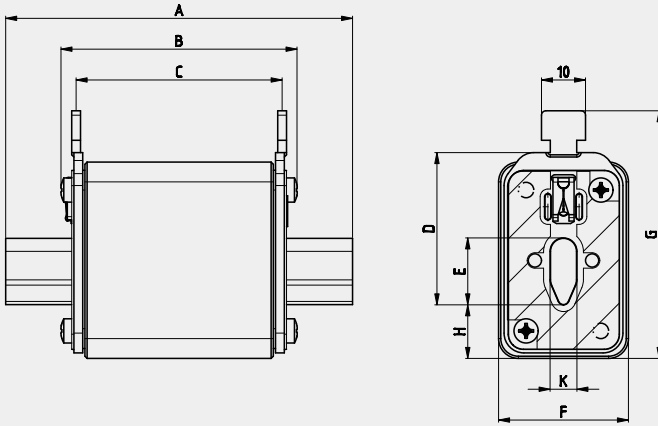
Rated voltage	800V a.c.
Rated current	6A - 315A
Breaking capacity	120kA
Characteristic	gG
Standards	IEC 60269-2
Application	For cable protection on a.c. side of PV inverter

Dimensions

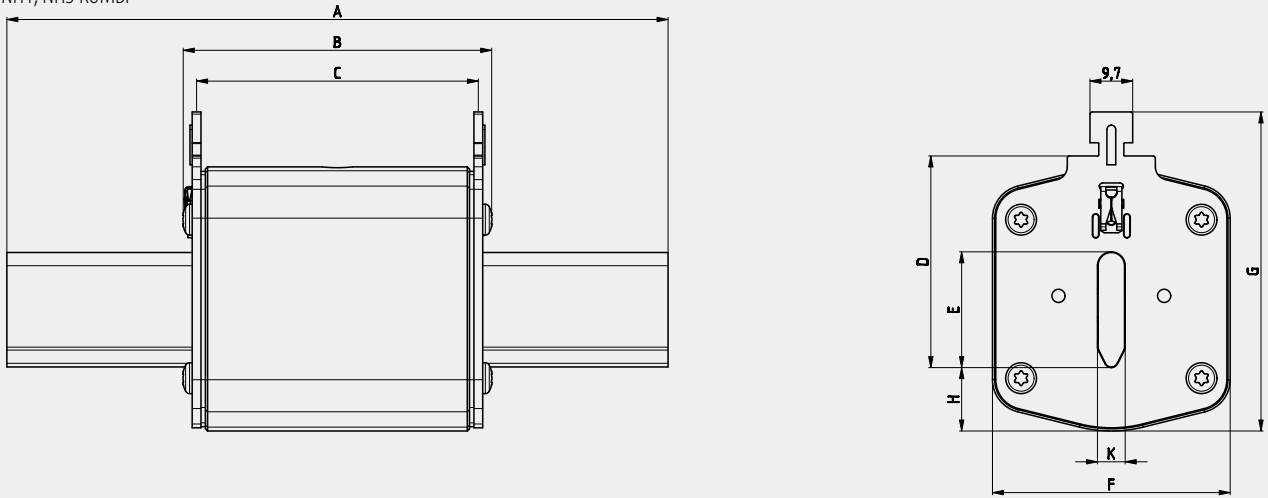
Size	Dimensions [mm]								
	A	B	C	D	E	F	G	H	K
00	79	53	47	35	15	28	56	12	6
1	135	72	65	40	20	46	65	14	6
3	150	74	70	60	37	73	87	13	6
3*	150	74	70	60	37	73	87	13	6

*Top visual indicator

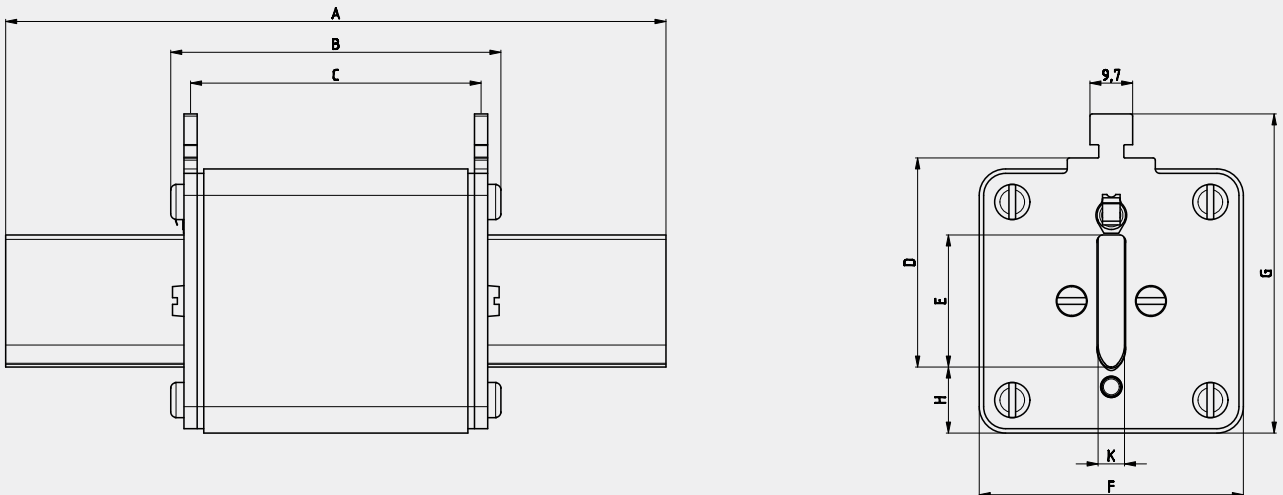
NH00 KOMBI



NH1, NH3 KOMBI

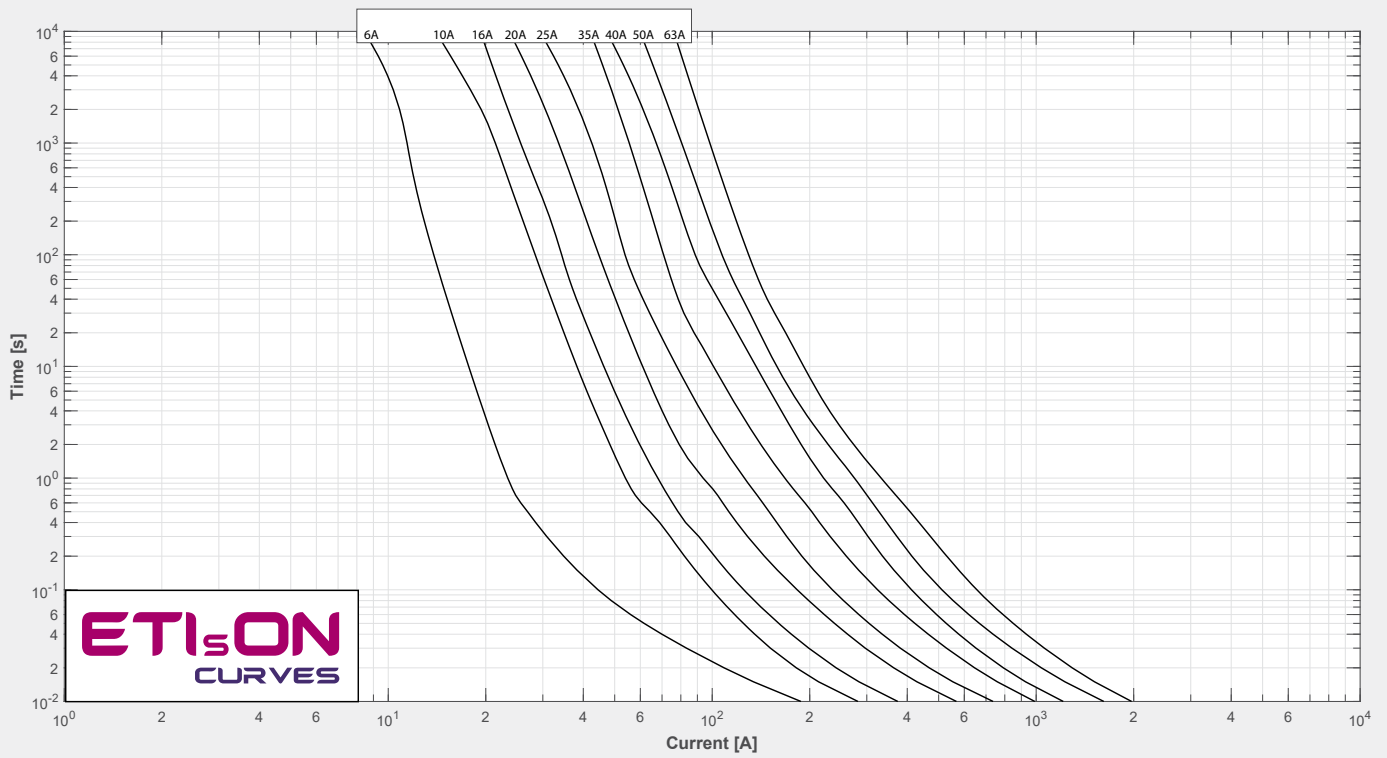


NH3

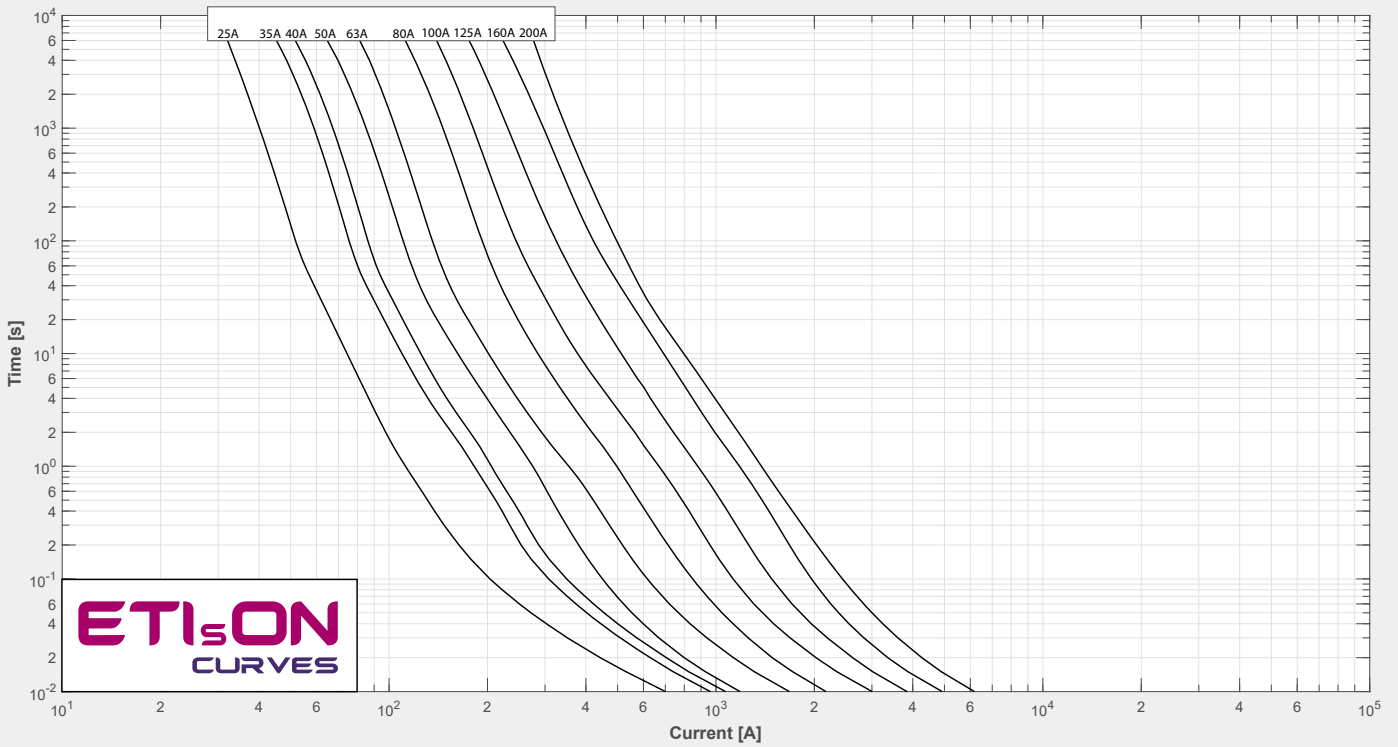


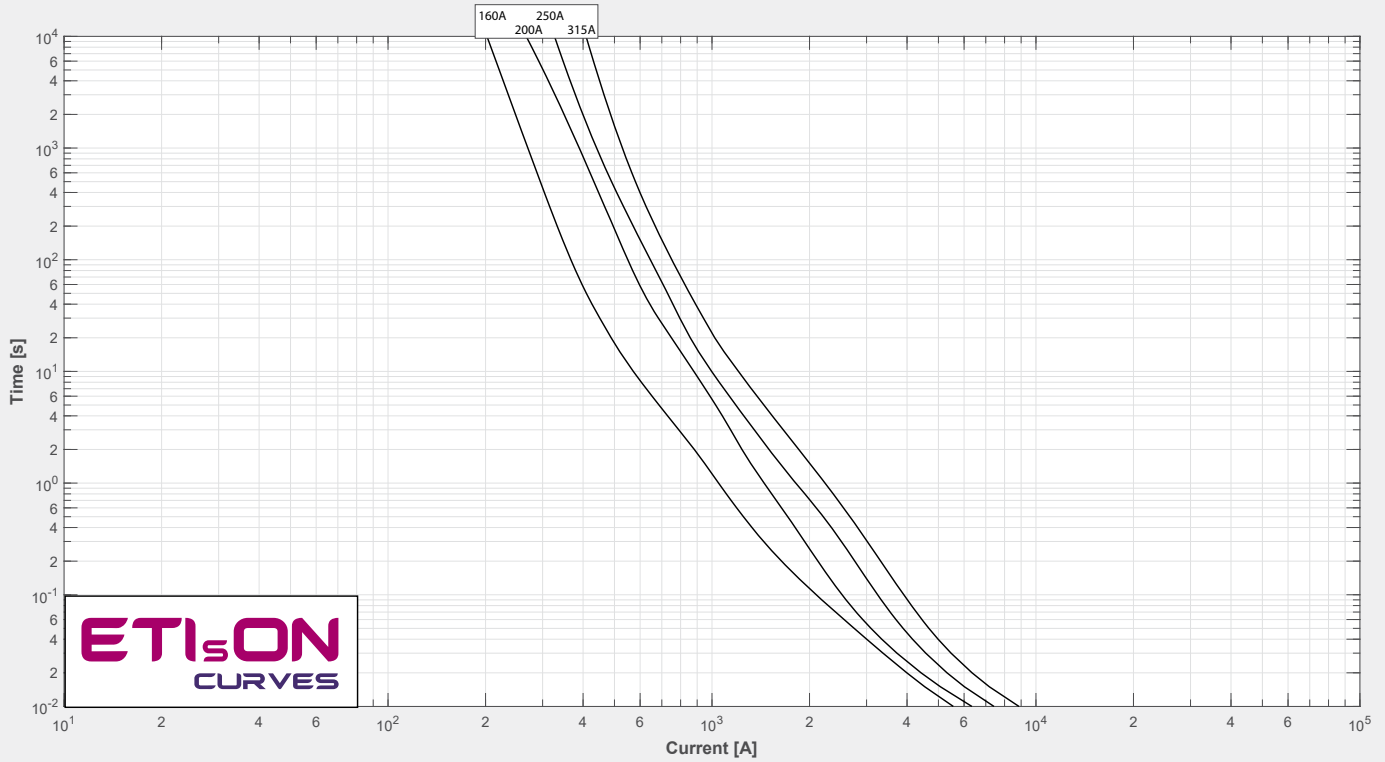
I/t characteristics

NH00 KOMBI



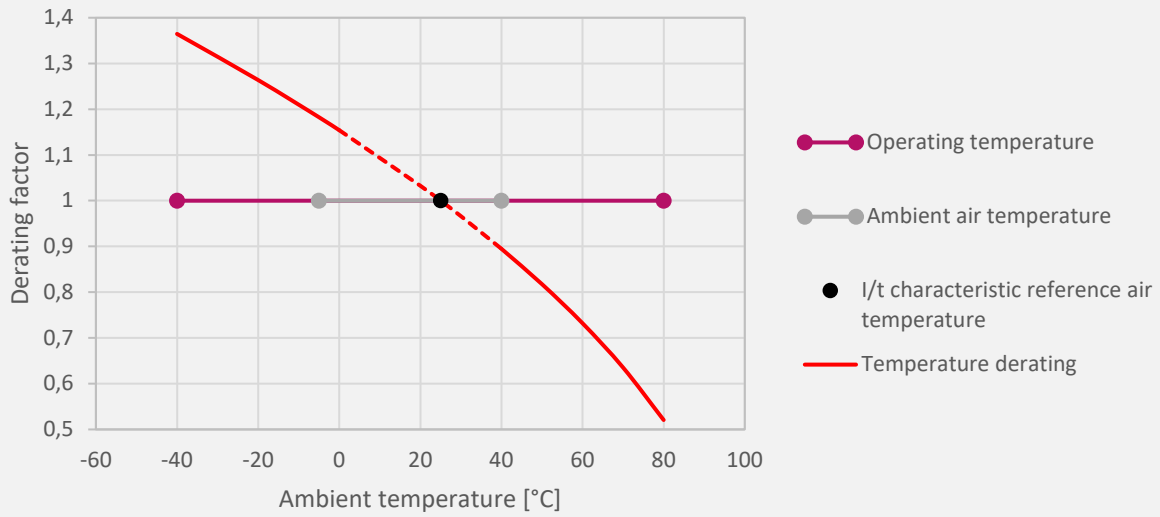
NH1 KOMBI





Green protect - 800V a.c.

Ambient air temperature of fuse-link



Legend:

T_{amb} – Ambient Temperature

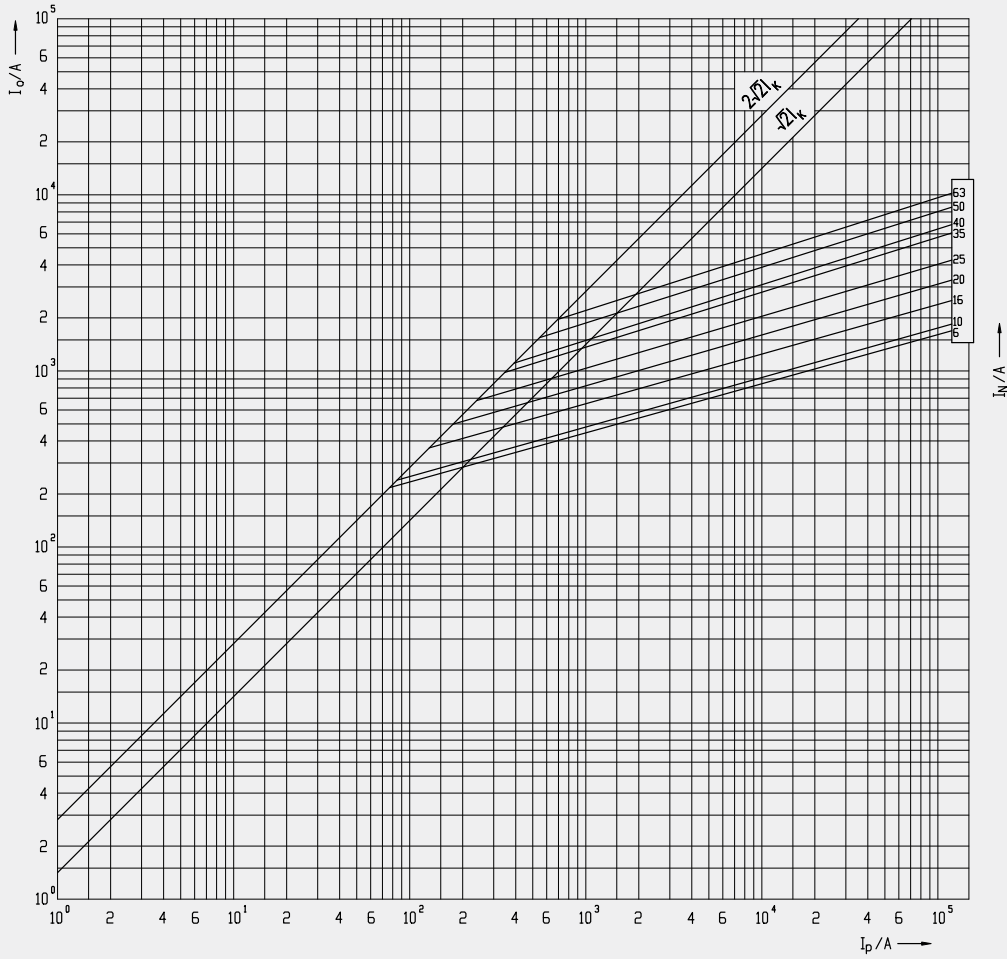
TDF – Temperature Derating Factor

I_N – Nominal Current of Fuse-link

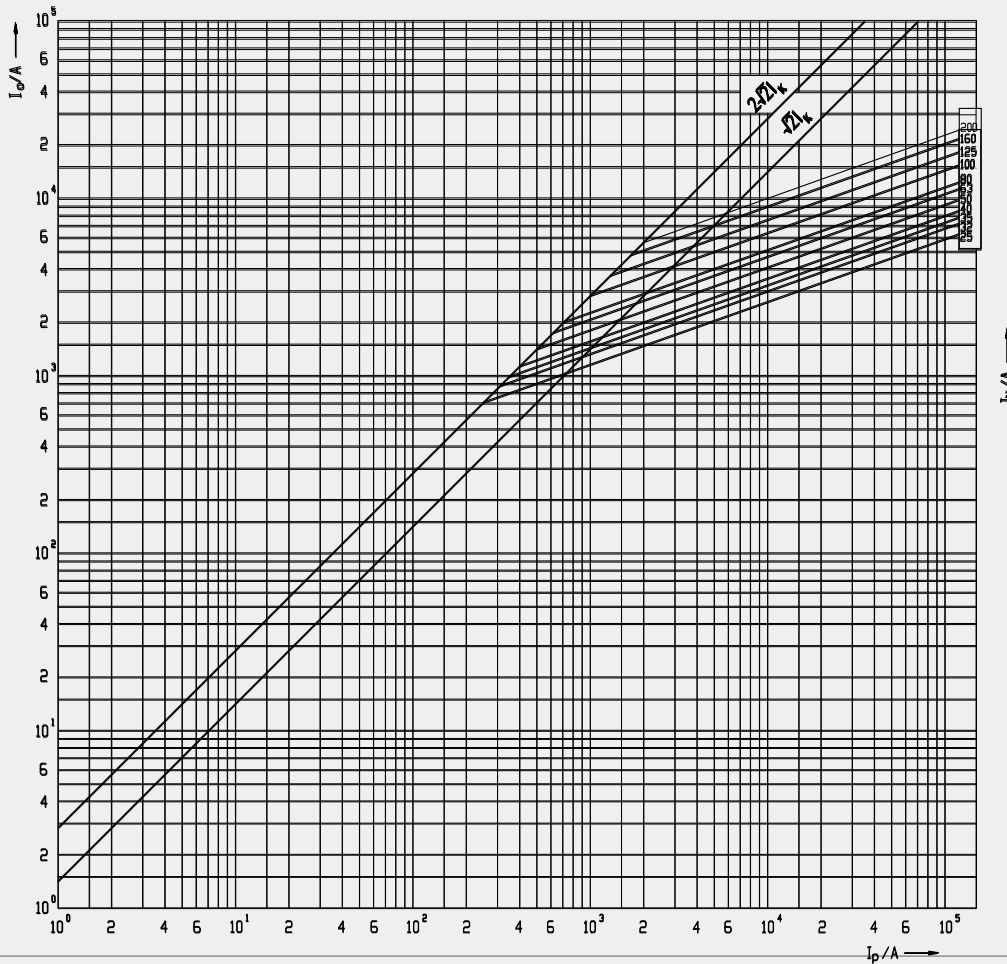
I_{TDF} – Nominal Current Including Temperature Derating Factor

Current calculation: $I_{TDF} = I_N \times TDF$

Cut-off current characteristics



NH00



NH1

Cut-off current characteristics

