

Ohm Wall 100/210

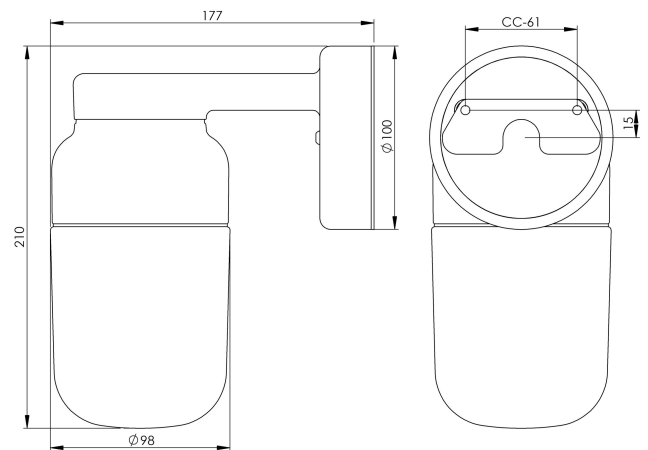
A family of porcelain luminaires for walls, ceilings and tables. Designed by Kauppi & Kauppi, the soft curves and restrained silhouette references to both Scandinavian design and ancient Japanese tableware.

EAN / GTIN	7312908371209
E-number	7510812
Article no.	8371-510-10
Type designation	51821W/E27



Specification

Material	Porcelain, Aluminum
Base colour	White (NCS S 1000-N)
Glass	Clear glass
Glass thread (mm)	84,5 mm
Glass gasket	Silicone
Weight	1,325 kg
Diameter (mm)	98
Height (mm)	209
Lamp holder	E27
Light source	E27, max 40W (not included)
Effect	Max 40W
Rated voltage	230V
IP class	IP44
Insulation class	II
D class	No
IK class	IK02
Ta	-30 - +25
Installation	Wall
CC measurement (mm)	61
Knock out opening	1
Cable inlet	Bottom inlet
Cable glands	Bottom inlet
Cable area, max	3 x 2,5 mm ²
Bridging	Yes, but not with external cable
Surface mounted cable	Yes
Connection	Terminal block
Family	Ohm
Design	Kauppi & Kauppi



Maintenance

Disconnect the power to the luminaire. Unscrew the glass and clean it. Do not use detergents that contain solvents. Replace light source if necessary. Check the gasket and replace it if necessary. Screw the shade back on.

Spare parts

Shade Ohm 100/170 clear glass, Article no.: 1-6161-10
Gasket silikon for thread 84,5 mm, Article no.: 02786-9

If the luminaire is modified the person responsible for the modification shall be considered manufacturer. Subject to errors in text. We reserve the right to change the technical specifications (without notice).