

## Ohm Table 100/190

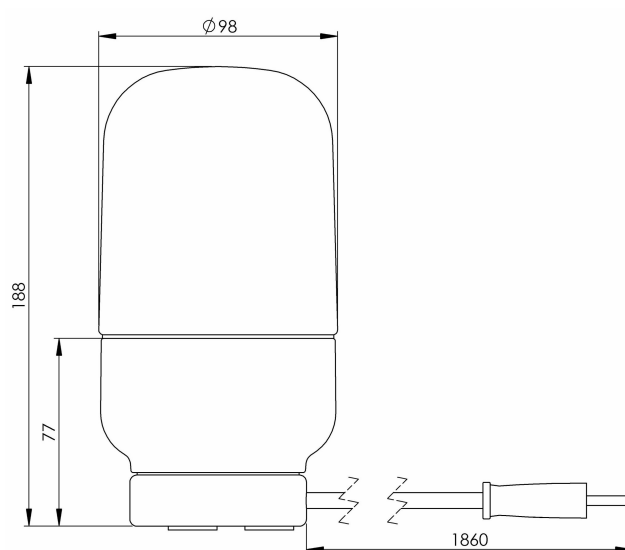
A family of porcelain luminaires for walls, ceilings and tables. Designed by Kauppi & Kauppi, the soft curves and restrained silhouette references to both Scandinavian design and ancient Japanese tableware.

EAN / GTIN	7312908312103
E-number	7505302
Article no.	8312-500-10
Type designation	51821T/E27



### Specification

Material	Porcelain
Base colour	White (NCS S 1000-N)
Glass	Matt opal glass
Glass thread (mm)	84,5 mm
Glass gasket	Silicone
Weight	1,075 kg
Diameter (mm)	98
Height (mm)	188
Lamp holder	E27
Light source	Max 40W (not included)
Effect	Max 40W
Rated voltage	230V
IP class	IP20
Insulation class	II
D class	No
IK class	IK02
Ta	-30 - +25
Installation	Table luminaire
Knock out opening	0
Bridging	No
Connection	EU plug class II
Family	Ohm
Design	Kauppi & Kauppi



### Luminaire specific information

Table luminaire in porcelain and glass with a wooden base in ash. Equipped with a two-meter textile cord with dimmer switch and EU plug class II.

### Maintenance

Disconnect the luminaire. Remove the shade and clean it. Do not use cleaning agents containing solvents. Change the light source if necessary. Check the gasket and change it if necessary. Replace the shade.

### Spare parts

Shade Ohm 100/170 matt opal, Article no.: 1-6161-30  
Gasket silicone for thread 84,5 mm, Article no.: 02786-9

*If the luminaire is modified the person responsible for the modification shall be considered manufacturer. Subject to errors in text. We reserve the right to change the technical specifications (without notice).*