

## Opus 200/135 LED 2700K

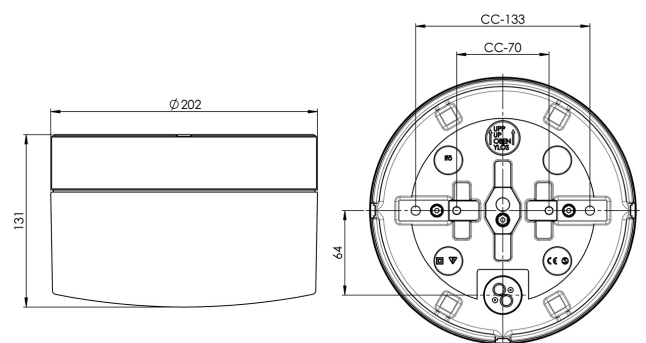
Opus 200 LED is an elegant cylindrical formed light fitting. Its timeless design is suitable for wall or ceiling installation, both indoors and outdoors. Equipped with a LED module, 12W.

|                  |               |
|------------------|---------------|
| EAN / GTIN       | 7312908262811 |
| E-number         | 7504369       |
| Article no.      | 8262-801-10   |
| Type designation | 8262/LED      |



### Specification

|                       |  |
|-----------------------|--|
| Material              | Porcelain  |
| Base colour           | White (NCS S 1000-N)   |
| Glass                 | Matt opal glass  |
| Glass thread (mm)     | 185,5 mm   |
| Glass gasket          | Silicone   |
| Weight                | 2,3 kg   |
| Diameter (mm)         | 202  |
| Height (mm)           | 131  |
| Lamp holder           | LED  |
| Light source          | LED module, 12W **   |
| Effect                | 12W  |
| Lumen, light source   | 1300lm   |
| Lumen, luminare       | 993  |
| Colour temperature    | 2700K  |
| MacAdam               | 3 SDCM   |
| Life span             | L80/B10: 50 000 h  |
| Ra                    | Min 90   |
| Rated voltage         | 230V   |
| Dimmable              | Back edge only - We recommend dimmers from ION, Schneider, Vadsbo and Niko |
| IP class              | IP44   |
| Insulation class      | II   |
| Energy class          | E  |
| D class               | No   |
| IK class              | IK02   |
| Ta                    | -30 - +25  |
| Installation          | Ceiling/wall   |
| CC measurement (mm)   | 133, 70  |
| Knock out opening     | 3  |
| Cable inlet           | Bottom inlet   |
| Cable glands          | Bottom inlet   |
| Cable area, max       | Max 3 x 2,5 mm <sup>2</sup>  |
| Bridging              | Yes  |
| Surface mounted cable | Yes  |
| Connection            | Terminal block   |
| Family                | Opus   |
| Design                | Duoform  |



### Maintenance

Disconnect the power to the luminaire. Unscrew the glass and clean it. Do not use detergents that contain solvents. Replace LED module if necessary. Check the gasket and replace it if necessary. Screw the shade back on.

### Spare parts

Shade Opus 200/135 matt opal, Article no.: 1-6183-30  
Gasket silicone for thread 185,5 mm, Article no.: 03431  
LED module 12W 2700K IOT, Article no.: 1-54064-927

\*\* Only use dimmers with manual trailing edge control. Do not use leading edge dimming or automatic setting as this can shorten the lifespan of the module.

If the luminaire is modified the person responsible for the modification shall be considered manufacturer. Subject to errors in text. We reserve the right to change the technical specifications (without notice).