

Opus 100/175 Sauna

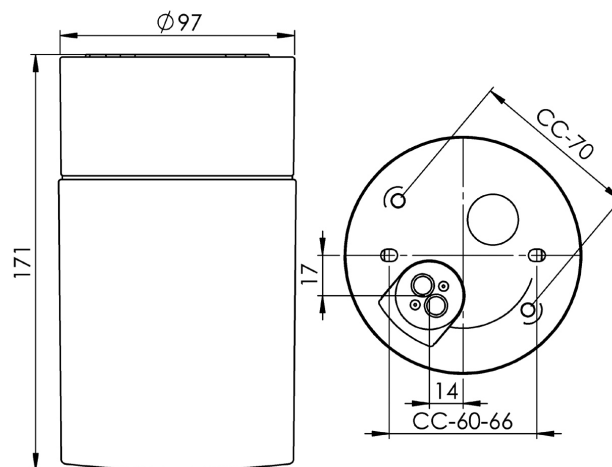
Opus 100/175 is an elegant cylindrical light fitting in a timeless design with a ceramic base. Suitable for both walls and ceilings in saunas.

EAN / GTIN	7312908240123
E-number	7530398
Article no.	8240-509-12
Type designation	7240
Norwegian El-number	3041069
Finnish S-number	4212246



Specification

Material	Porcelain
Base colour	Grey (NCS S 6005-G50Y)
Glass	Matt opal glass
Glass thread (mm)	84,5 mm
Glass gasket	Silicone
Weight	0,77 kg
Diameter (mm)	97
Height (mm)	171
Lamp holder	E27
Light source	Max 40W ceiling/60W wall (included)
Effect	Max 40W ceiling/60W wall
Rated voltage	230V
IP class	IP44
Insulation class	II
Energy class	G
D class	No
IK class	IK02
Ta	Max +125
Installation	Ceiling/wall
CC measurement (mm)	60-66, 70
Knock out opening	0
Cable inlet	Bottom inlet
Cable glands	Bottom inlet
Cable area, max	Max 2 x 2,5 mm ²
Bridging	Yes
Surface mounted cable	No
Connection	Mantle screw
Family	Sauna
Design	Duoform



Luminaire specific information

The luminaire is designed to be installed in ambient temperatures of up to 125 °C. Also approved for steam rooms. Sauna light source, E27, 40W included.

Maintenance

Disconnect the power to the luminaire. Unscrew the glass and clean it. Do not use detergents that contain solvents. Replace light source if necessary. Check the gasket and replace it if necessary. Screw the shade back on.

Spare parts

Shade Opus 100/175 matt opal, Article no.: 1-6182-30
Gasket silicone for thread 84,5 mm, Article no.: 02786-9

If the luminaire is modified the person responsible for the modification shall be considered manufacturer. Subject to errors in text. We reserve the right to change the technical specifications (without notice).