

Aton Cairo Large

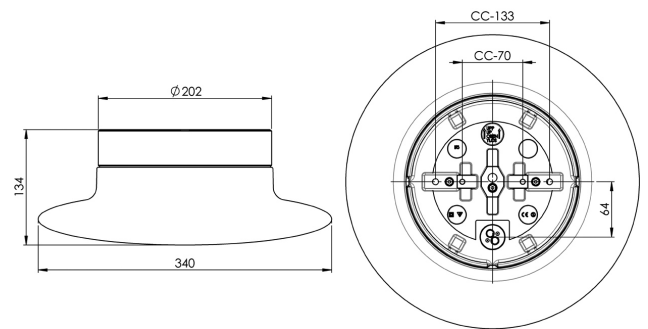
Aton, a sun god of Egyptian mythology, has given his name to this beautiful series. These light fittings works well both alone or in groups.

EAN / GTIN	7312907305168
E-number	7511451
Article no.	7305-500-16
Type designation	7038A



Specification

Material	Porcelain
Base colour	Black (NCS S 9000-N)
Glass	Matt opal glass
Glass thread (mm)	185,5 mm
Glass gasket	Silicone
Weight	3,7 kg
Diameter (mm)	340
Height (mm)	134
Lamp holder	E27
Light source	E27, max 75W (not included)
Effect	75W
Rated voltage	230V
IP class	IP44
Insulation class	II
D class	No
IK class	IK02
Ta	-30 - +25
Installation	Ceiling/wall
CC measurement (mm)	133, 70
Knock out opening	3
Cable inlet	Bottom inlet
Cable glands	Bottom inlet
Cable area, max	Max 2 x 2,5 mm ²
Bridging	Yes
Surface mounted cable	Yes
Connection	Screw connector
Family	Aton
Design	Håkan Svennesson SD



Maintenance

Disconnect the power to the luminaire. Unscrew the glass and clean it. Do not use detergents that contain solvents. Replace light source if necessary. Check the gasket and replace it if necessary. Screw the shade back on.

Spare parts

Shade Cairo Large matt opal, Article no.: 1-6195-30
Gasket silicone for thread 185,5 mm, Article no.: 03431

If the luminaire is modified the person responsible for the modification shall be considered manufacturer. Subject to errors in text. We reserve the right to change the technical specifications (without notice).