

Open Klara

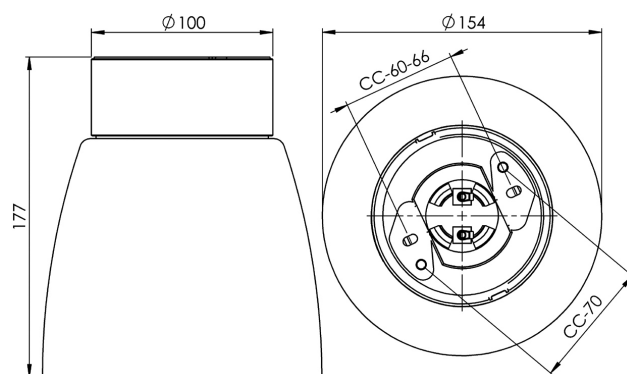
Ifö Open is based on a series of open shades which, together with the glazed ceramic bases, offers nine different models. Suitable for the gym, the kitchen, the hall or public environments.

EAN / GTIN	7312907103108
E-number	7501999
Article no.	7103-510-10
Type designation	52740-1



Specification

Material	Porcelain
Base colour	White (NCS S 1000-N)
Glass	Clear glass
Glass thread (mm)	84,5 mm
Glass gasket	Silicone
Weight	1,08 kg
Diameter (mm)	154
Height (mm)	177
Lamp holder	E27
Light source	E27, max 75W (not included)
Effect	Max 75W
Rated voltage	230V
IP class	IP21
Insulation class	II
D class	No
IK class	IK02
Ta	-30 - +25
Installation	Ceiling
CC measurement (mm)	60-66, 70
Knock out opening	2
Cable inlet	Bottom inlet
Cable glands	Bottom inlet
Cable area, max	Max 2 x 2,5 mm ²
Bridging	Yes
Surface mounted cable	Yes
Connection	Screw connector
Family	Open
Design	Duoform



Maintenance

Disconnect the power to the luminaire. Unscrew the glass and clean it. Do not use detergents that contain solvents. Replace light source if necessary. Check the gasket and replace it if necessary. Screw the shade back on.

Spare parts

Shade Open Klara clear glass, Article no.: 1-6172-10
Gasket silicone for thread 84,5 mm, Article no.: 02786-9

If the luminaire is modified the person responsible for the modification shall be considered manufacturer. Subject to errors in text. We reserve the right to change the technical specifications (without notice).