

## Bernadotte

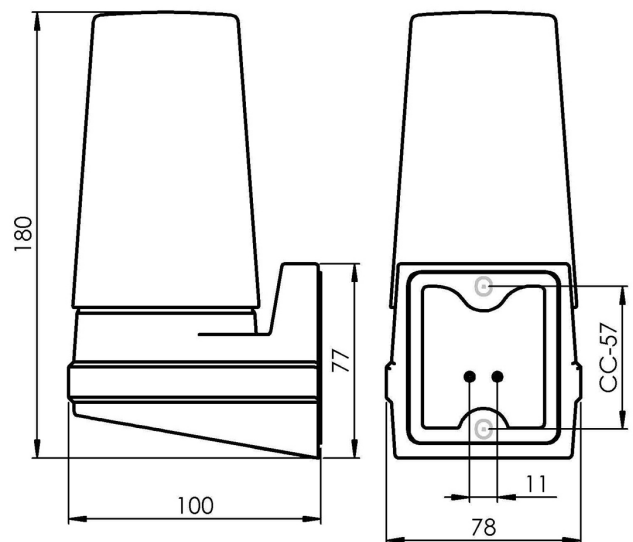
It is said that good design is timeless. Designed by Sigvard Bernadotte in the middle of the 1960's this light fitting fits this description perfectly. Now, more than 50 years later, we present the same assortment with a new IP rating - IP44.

EAN / GTIN	7312906088109
E-number	7511103
Article no.	6088-700-10
Type designation	6080
Norwegian El-number	3212903
Finnish S-number	4112869



### Specification

Material	Porcelain
Base colour	White (NCS S 1000-N)
Glass	Shiny opal glass
Glass thread (mm)	57 mm
Glass gasket	Silicone
Weight	0,78 kg
Length/Depth (mm)	100
Width (mm)	78
Height (mm)	180
Lamp holder	E14
Light source	Max 40W (not included)
Effect	Max 40W
Rated voltage	230V
IP class	IP44
Insulation class	II
D class	No
IK class	IK02
Ta	-30 - +25
Installation	Wall
CC measurement (mm)	57
Knock out opening	0
Cable inlet	Bottom inlet
Cable glands	Bottom inlet
Cable area, max	Max 2 x 2,5 mm <sup>2</sup>
Bridging	Yes
Surface mounted cable	No
Connection	Screw connector
Family	Bernadotte
Design	Sigvard Bernadotte



### Maintenance

Disconnect the power to the luminaire. Unscrew the glass and clean it. Do not use detergents that contain solvents. Replace light source if necessary. Check the gasket and replace it if necessary. Screw the shade back on.

### Spare parts

Shade Bernadotte E14 shiny opal, Article no.: 1-6109  
Gasket silicone for thread 57 mm for Bernadotte, Article no.: 03390

*If the luminaire is modified the person responsible for the modification shall be considered manufacturer. Subject to errors in text. We reserve the right to change the technical specifications (without notice).*