

Light On Downlight

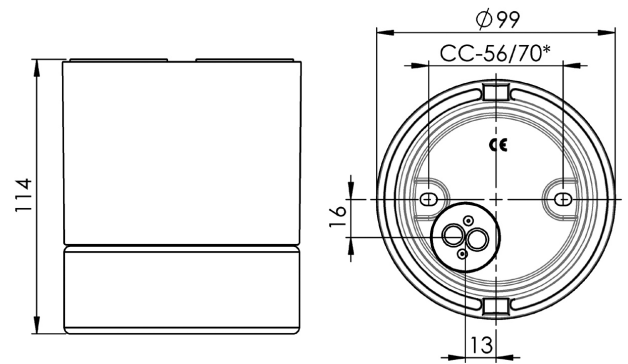
A versatile light fitting suitable for most settings. Designed by the Danish designer Knud Holscher in 1987.

EAN / GTIN	7312906057167
E-number	7511271
Article no.	6057-200-16
Type designation	6057
Norwegian El-number	3012907
Finnish S-number	4212081



Specification

Material	Porcelain
Base colour	Black (NCS S 9000-N)
Glass	Protection glass (Clear glass)
Glass thread (mm)	74 mm
Glass gasket	Silicone
Weight	1,2 kg
Diameter (mm)	99
Height (mm)	114
Lamp holder	GU10
Light source	Max 50W (not included)
Effect	Max 50W
Rated voltage	230V
IP class	IP44
Insulation class	II
D class	No
IK class	IK03
Ta	-30 - +25
Installation	Ceiling
CC measurement (mm)	56, 70
Knock out opening	2
Cable inlet	Bottom inlet
Cable glands	Bottom inlet
Cable area, max	Max 2 x 2,5 mm ²
Bridging	Yes
Surface mounted cable	Yes
Connection	Mantle screw
Family	Light On
Design	Knud Holscher



Maintenance

Switch off the power to the fixture. Remove the top and clean it. Do not use cleaning agents containing solvents. Change the light source if necessary. Check the gasket and change it if necessary. Replace the top.

Spare parts

Gasket silicone for mounting plate for Light On, Article no.: 03737-1

If the luminaire is modified the person responsible for the modification shall be considered manufacturer. Subject to errors in text. We reserve the right to change the technical specifications (without notice).