

Classic Globe 150

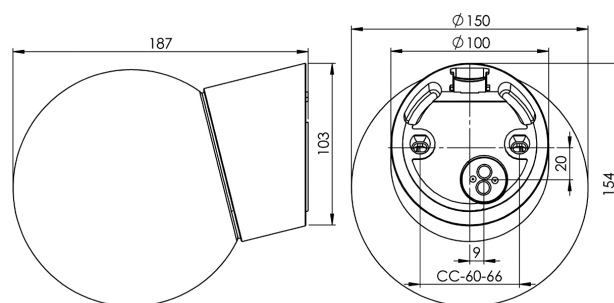
The Classic series is an old favourite of our assortment. Ideal in most areas where functionality and timeless design are the key words. Classic is available in different combinations and are also available with a grey or a brown glazed base as option.

EAN / GTIN	7312906044402
E-number	7501985
Article no.	6044-540-10
Type designation	52726



Specification

Material	Porcelain
Base colour	White (NCS S 1000-N)
Glass	Shiny opal glass
Glass thread (mm)	84,5 mm
Glass gasket	Silicone
Weight	0,98 kg
Diameter (mm)	150
Height (mm)	193
Lamp holder	E27
Light source	E27, max 75W (not included)
Effect	Max 75W
Rated voltage	230V
IP class	IP54
Insulation class	II
D class	No
IK class	IK02
Ta	-30 - +25
Installation	Wall
CC measurement (mm)	60-66
Knock out opening	1 - demands glands
Cable inlet	Bottom inlet
Cable glands	Bottom inlet
Cable area, max	Max 2 x 2,5 mm ²
Bridging	Yes
Surface mounted cable	Yes
Connection	Mantle screw
Family	Classic Globe
Design	Ifö Electric



Luminaire specific information

Angeled 14 degrees.

Maintenance

Disconnect the power to the luminaire. Unscrew the glass and clean it. Do not use detergents that contain solvents. Replace light source if necessary. Check the gasket and replace it if necessary. Screw the shade back on.

Spare parts

Shade globe Ø 150 mm shiny opal, Article no.: 1-6108
Gasket silicone for thread 84,5 mm, Article no.: 02786-9

If the luminaire is modified the person responsible for the modification shall be considered manufacturer. Subject to errors in text. We reserve the right to change the technical specifications (without notice).