

Classic Globe 150 LED 3000K

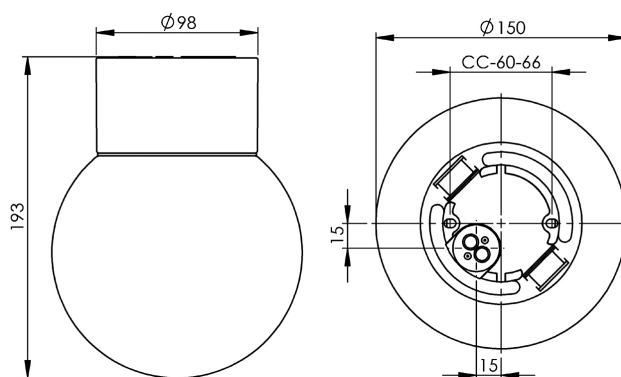
The Classic series is an old favourite of our assortment. Ideal in most areas where functionality and timeless design are the key words. Classic is available in different combinations and are also available with a grey or a brown glazed base as option.

EAN / GTIN	7312906040800
E-number	7502723
Article no.	6040-840-10
Type designation	52721-2/LED



Specification

Material	Porcelain
Base colour	White (NCS S 1000-N)
Glass	Shiny opal glass
Glass thread (mm)	84,5 mm
Glass gasket	Silicone
Weight	0,98 kg
Diameter (mm)	150
Height (mm)	193
Lamp holder	LED
Light source	LED module, 8W **
Effect	8W
Lumen, light source	800lm
Lumen, luminaire	687
Colour temperature	3000K
MacAdam	3
Life span	L80/B10: 50 000 h
Ra	Min 90
Rated voltage	230V
Dimmable	Back edge only - We recommend dimmers from ION, Schneider, Vadsbo and Niko
IP class	IP54
Insulation class	I
Energy class	F
D class	Yes
IK class	IK02
Ta	-30 - +25
Installation	Ceiling/wall
CC measurement (mm)	60-66
Knock out opening	2 - demands glands
Cable inlet	Bottom inlet
Cable glands	Bottom inlet
Cable area, max	Max 3 x 2,5 mm ²
Bridging	Yes
Surface mounted cable	Yes
Connection	Terminal block
Family	Classic Globe
Design	Ifö Electric



Luminaire specific information

Approved for use in environments where an accumulation of non-conductive dust on the luminaire can be expected.

Maintenance

Disconnect the power to the luminaire. Unscrew the glass and clean it. Do not use detergents that contain solvents. Replace light source if necessary. Check the gasket and replace it if necessary. Screw the shade back on.

Spare parts

Shade globe Ø 150 mm shiny opal, Article no.: 1-6108
Gasket silicone for thread 84,5 mm, Article no.: 02786-9
LED module 8W - 3000K, Article no.: 1-54057-930

**** Only use dimmers with manual trailing edge control. Do not use leading edge dimming or automatic setting as this can shorten the lifespan of the module.**

If the luminaire is modified the person responsible for the modification shall be considered manufacturer. Subject to errors in text. We reserve the right to change the technical specifications (without notice).