

Classic Globe 150

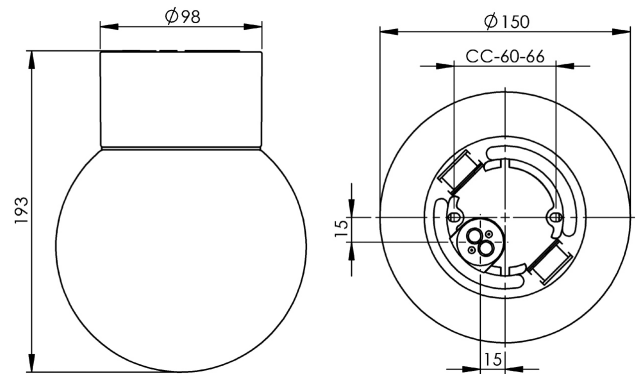
The Classic series is an old favourite of our assortment. Ideal in most areas where functionality and timeless design are the key words. Classic is available in different combinations and are also available with a grey or a brown glazed base as option.

| | |
|------------------|---------------|
| EAN / GTIN | 7312906040404 |
| E-number | 7501983 |
| Article no. | 6040-540-10 |
| Type designation | 52721-2 |



Specification

| | |
|-----------------------|-----------------------------|
| Material | Porcelain |
| Base colour | White (NCS S 1000-N) |
| Glass | Shiny opal glass |
| Glass thread (mm) | 84,5 mm |
| Glass gasket | Silicone |
| Weight | 0,98 kg |
| Diameter (mm) | 150 |
| Height (mm) | 193 |
| Lamp holder | E27 |
| Light source | E27, max 75W (not included) |
| Effect | Max 75W |
| Rated voltage | 230V |
| IP class | IP54 |
| Insulation class | II |
| D class | Yes |
| IK class | IK02 |
| Ta | -30 - +25 |
| Installation | Ceiling/wall |
| CC measurement (mm) | 60-66 |
| Knock out opening | 2 - demands glands |
| Cable inlet | Bottom inlet |
| Cable glands | Bottom inlet |
| Cable area, max | Max 2 x 2,5 mm ² |
| Bridging | Yes |
| Surface mounted cable | Yes |
| Connection | Mantle screw |
| Family | Classic Globe |
| Design | Ifö Electric |



Luminaire specific information

Our shades are all unique, minor variations may occur. Approved for use in environments where an accumulation of non-conductive dust on the luminaire can be expected.

Maintenance

Disconnect the power to the luminaire. Unscrew the glass and clean it. Do not use detergents that contain solvents. Replace light source if necessary. Check the gasket and replace it if necessary. Screw the shade back on.

Spare parts

Shade globe Ø 150 mm shiny opal, Article no.: 1-6108
Gasket silikon for thread 84,5 mm, Article no.: 02786-9

If the luminaire is modified the person responsible for the modification shall be considered manufacturer. Subject to errors in text. We reserve the right to change the technical specifications (without notice).