

Base Ohm thread 123,5 mm LED

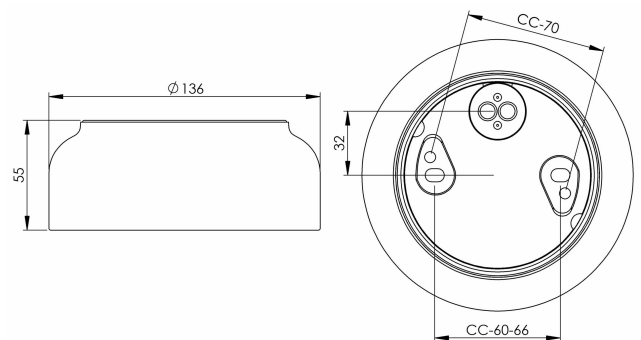
Base Ohm thread 123,5 mm. Grey, IP44, unequipped.

EAN / GTIN	7312905582226
E-number	7505334
Article no.	55822-800-12
Type designation	51822/LED



Specification

Material	Porcelain
Base colour	Grey (NCS S 6005-G50Y)
Glass thread (mm)	123,5 mm
Glass gasket	Silicone
Weight	0,73 kg
Diameter (mm)	136
Height (mm)	55
Lamp holder	Without lamp holder
Light source	
LED module, max 10W (not included)	
Effect	Max 10W
Rated voltage	230V
IP class	IP44
Insulation class	I
D class	No
IK class	IK02
Ta	-30 - +25
Installation	Ceiling/wall
CC measurement (mm)	60-66, 70
Knock out opening	0
Cable inlet	Bottom inlet
Cable glands	Bottom inlet
Bridging	Yes
Surface mounted cable	No
Family	Bases
Design	Kauppi & Kauppi



Luminaire specific information

Complete with a LED module, max 10W.

Maintenance

Disconnect the power to the luminaire. Unscrew the glass and clean it. Do not use detergents that contain solvents. Replace light source if necessary. Check the gasket and replace it if necessary. Screw the shade back on.

Spare parts

Gasket silicone for thread 123,5 mm, Article no.: 02789

If the base is modified the person responsible for the modification shall be considered manufacturer. Subject to errors in text. We reserve the right to change the technical specifications (without notice).