

Klack pendant without cord. 4 pack.

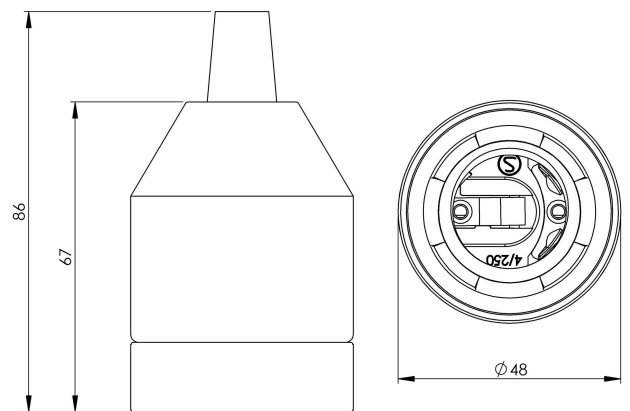
Klack, black, in 4 pack, no cable.

| | |
|------------------|---------------|
| EAN / GTIN | 7312905280566 |
| E-number | 7500887 |
| Article no. | 52805-16 |
| Type designation | 51805 |



Specification

| | |
|-----------------------|-----------------------------|
| Material | Porcelain |
| Base colour | Black (NCS S 9000-N) |
| Weight | 0,20 kg |
| Diameter (mm) | 50 |
| Height (mm) | 68 |
| Lamp holder | E27 |
| Light source | E27, max 60W (not included) |
| Effect | Max 60W |
| Rated voltage | 230V |
| IP class | IP20 |
| Insulation class | II |
| D class | No |
| IK class | IK03 |
| Ta | -30 - +25 |
| Installation | Ceiling |
| Knock out opening | 0 |
| Cable area, max | Max 2 x 2,5 mm ² |
| Bridging | Yes |
| Surface mounted cable | No |
| Connection | Screw connector |
| Family | Klack |
| Design | Ifö Electric |



Luminaire specific information

Klack in fourpack are supplied without cable and need before installation to be provided with cable with lamp plug or a terminal if it is connected directly to the box. In the latter case it also needs a ceiling rose to conceal the installation. Production of fittings shall be made according to current lighting standards. The lamp holder is tested and adapted for use in luminaires with protection class II. The lamp holder is supplied with wire bracket and cord grip to facilitate manufacture of pendant.

Maintenance

Disconnect the power to the fixture. Wipe with a barely damp cloth if necessary.

Subject to errors in text. We reserve the right to change the technical specifications (without notice).