

Klack pendant without cord. 4 pack.

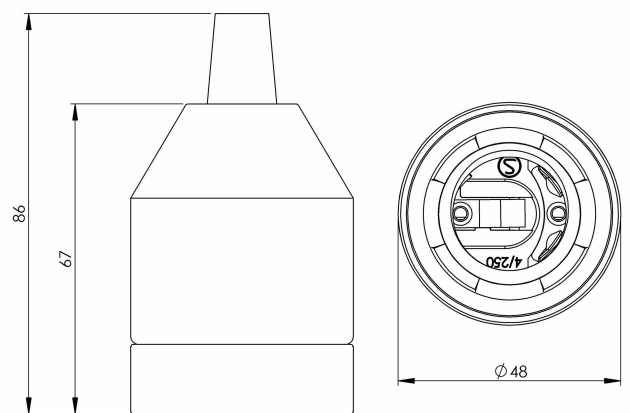
Klack, white, in 4 pack, no cable.

EAN / GTIN	7312905280504
E-number	7500886
Article no.	52805-10
Type designation	51805



Specification

Material	Porcelain
Base colour	White (NCS S 1000-N)
Weight	0,20 kg
Diameter (mm)	50
Height (mm)	68
Lamp holder	E27
Light source	E27, max 60W (not included)
Effect	Max 60W
Rated voltage	230V
IP class	IP20
Insulation class	II
D class	No
IK class	IK03
Ta	-30 - +25
Installation	Ceiling
Knock out opening	0
Cable area, max	Max 2 x 2,5 mm ²
Bridging	Yes
Surface mounted cable	No
Connection	Screw connector
Family	Klack
Design	Ifö Electric



Luminaire specific information

Klack in fourpack are supplied without cable and need before installation to be provided with cable with lamp plug or a terminal if it is connected directly to the box. In the latter case it also needs a ceiling rose to conceal the installation. Production of fittings shall be made according to current lighting standards. The lamp holder is tested and adapted for use in luminaires with protection class II. The lamp holder is supplied with wire bracket and cord grip to facilitate manufacture of pendant.

Maintenance

Disconnect the power to the fixture. Wipe with a barely damp cloth if necessary.

Subject to errors in text. We reserve the right to change the technical specifications (without notice).