

Base thread 99 mm

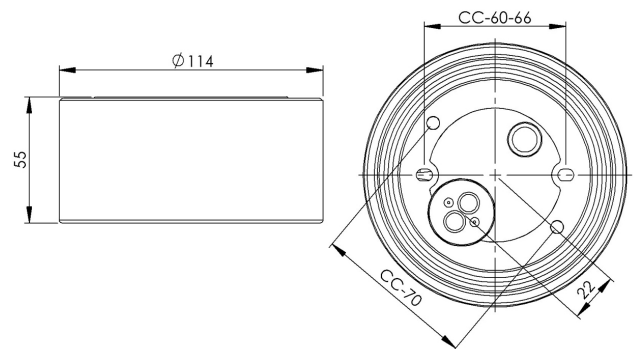
Black IP44 straight GX53 7W with bottom inlet

EAN / GTIN	7312905276163
E-number	7500130
Article no.	52760-404-16
Type designation	7300



Specification

Material	Porcelain
Base colour	Black (NCS S 9000-N)
Glass thread (mm)	99 mm
Glass gasket	Silicone
Weight	0,64 kg
Diameter (mm)	114
Height (mm)	55
Lamp holder	GX53
Light source	GX53, Max 7W (not included)
Effect	Max 7W
Rated voltage	230V
IP class	IP44
Insulation class	II
D class	No
IK class	IK02
Ta	-30 - +25
Installation	Ceiling/wall
CC measurement (mm)	60-66, 70
Knock out opening	0
Cable inlet	Bottom inlet
Cable glands	Bottom inlet
Cable area, max	Max 2 x 4 mm ²
Bridging	Yes
Surface mounted cable	No
Connection	Terminal block
Family	Bases



Maintenance

Disconnect the power to the luminaire. Unscrew the glass and clean it. Do not use detergents that contain solvents. Replace light source if necessary. Check the gasket and replace it if necessary. Screw the shade back on.

Spare parts

Gasket silicone for thread 99 mm, Article no.: 03542

If the base is modified the person responsible for the modification shall be considered manufacturer. Subject to errors in text. We reserve the right to change the technical specifications (without notice).