

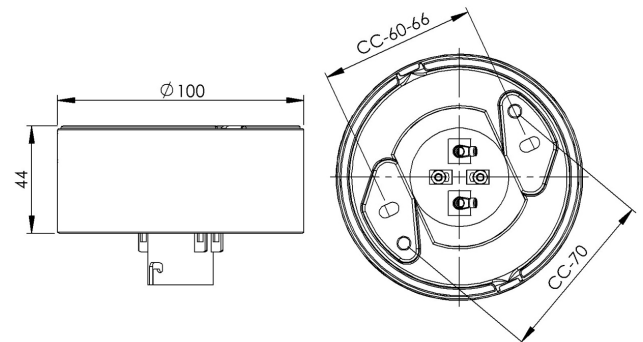
Base thread 84,5 mm

EAN / GTIN	7312905274015
E-number	7500016
Article no.	52740-100-10
Type designation	52740/B22
Norwegian EI-number	3031908
Finnish S-number	4211975



Specification

Material	Porcelain
Base colour	White (NCS S 1000-N)
Glass thread (mm)	84,5 mm
Glass gasket	Silicone
Weight	0,47 kg
Diameter (mm)	100
Height (mm)	44
Lamp holder	B22
Light source	B22, max 75W (not included)
Effect	Max 75W
Rated voltage	230V
IP class	IP20
Insulation class	II
D class	No
IK class	IK02
Ta	-30 - +25
Installation	Ceiling/wall
CC measurement (mm)	60-66, 70
Knock out opening	2
Cable inlet	Bottom inlet
Cable glands	Bottom inlet
Cable area, max	Max 2 x 2,5 mm ²
Bridging	Yes
Surface mounted cable	Yes
Connection	Screw connector
Family	Bases



Maintenance

Disconnect the power to the luminaire. Unscrew the glass and clean it. Do not use detergents that contain solvents. Replace light source if necessary. Check the gasket and replace it if necessary. Screw the shade back on.

Spare parts

Gasket silicone for thread 84,5 mm, Article no.: 02786-9

If the base is modified the person responsible for the modification shall be considered manufacturer. Subject to errors in text. We reserve the right to change the technical specifications (without notice).