

## Lampholder Ø 100

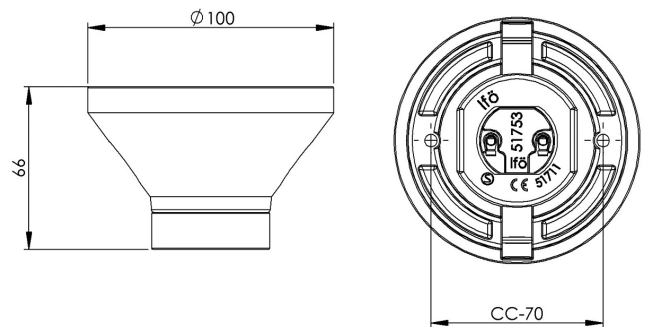
A bigger version of our classic, white lamp holder in porcelain. Suitable for anyone looking for timeless design for modern environments.

EAN / GTIN	7312905271106
E-number	7504093
Article no.	52711-000-10
Type designation	51711



### Specification

Material	Porcelain
Base colour	White (NCS S 1000-N)
Weight	0,43 kg
Diameter (mm)	100
Height (mm)	66
Lamp holder	E27
Light source	E27, max 75W (not included)
Effect	Max 75W
Rated voltage	230V
IP class	IP20
Insulation class	II
D class	No
IK class	IK03
Ta	-30 - +25
Installation	Ceiling/wall
CC measurement (mm)	70
Knock out opening	2
Cable inlet	Bottom inlet
Cable glands	Bottom inlet
Cable area, max	Max 2 x 2,5 mm <sup>2</sup>
Bridging	Yes
Surface mounted cable	Yes
Connection	Screw connector
Family	Basic
Design	Ifö Electric



### Maintenance

Switch off the power to the light fitting. Dust or dry with a slightly damp cloth. Change the light source if necessary.

### Spare parts

Ring for lampholder E27 white glaze, Article no.: 1-51755-2

*If the luminaire is modified the person responsible for the modification shall be considered manufacturer. Subject to errors in text. We reserve the right to change the technical specifications (without notice).*