

## Klack pendant b/b with terminal block and ceiling rose

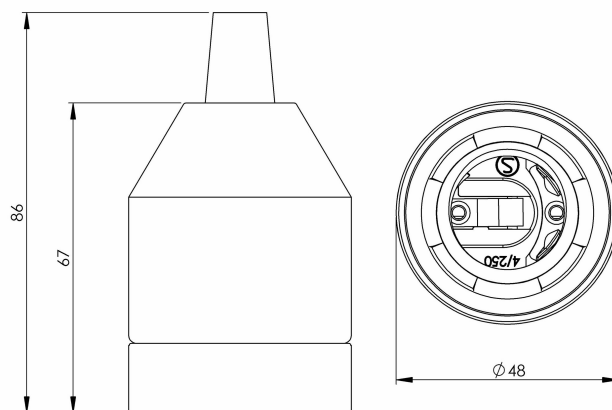
Our porcelain pendant Klack is available with black or white base glaze. Two meter white or black textile cord with terminal block connection. Ceiling rose in plastic.

EAN / GTIN	7312905880551
E-number	7500946
Article no.	51805-086-16
Type designation	51805A



### Specification

Material	Porcelain
Base colour	Black (NCS S 9000-N)
Weight	0,30 kg
Diameter (mm)	50
Height (mm)	68
Lamp holder	E27
Light source	E27, max 60W (not included)
Effect	Max 60W
Rated voltage	230V
IP class	IP20
Insulation class	II
D class	No
IK class	IK03
Ta	-30 - +25
Installation	Ceiling
Knock out opening	0
Cable area, max	Max 2 x 2,5 mm <sup>2</sup>
Bridging	Yes
Surface mounted cable	No
Connection	Terminal block
Family	Klack
Design	Ifö Electric



### Luminaire specific information

2m textile cord with terminal block, hook and ceiling rose in plastic.

### Maintenance

Disconnect the power to the fixture. Wipe with a barely damp cloth if necessary.

*Subject to errors in text. We reserve the right to change the technical specifications (without notice).*