

Klack pendant w/w DCL plug

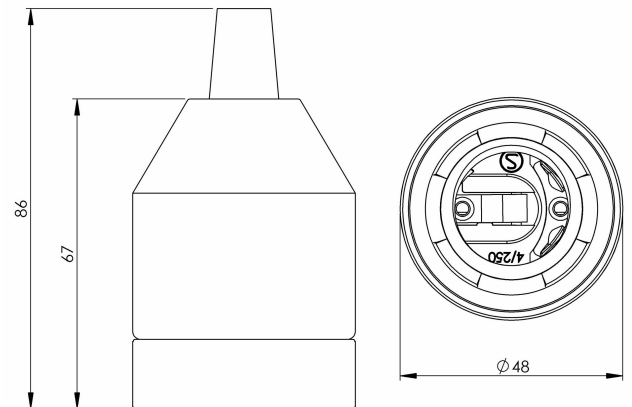
Our porcelain pendant Klack is available with black or white base glaze. Two meter white or black textile cord with DCL plug.

EAN / GTIN	7312905180514
E-number	7500933
Article no.	51805-000-10
Type designation	51805A



Specification

Material	Porcelain
Base colour	White (NCS S 1000-N)
Weight	0,30 kg
Diameter (mm)	50
Height (mm)	68
Lamp holder	E27
Light source	E27, max 60W (not included)
Effect	Max 60W
Rated voltage	230V
IP class	IP20
Insulation class	II
D class	No
IK class	IK03
Ta	-30 - +25
Installation	Ceiling
Knock out opening	0
Bridging	No
Surface mounted cable	No
Connection	DCL
Family	Klack
Design	Ifö Electric



Luminaire specific information

2m textile cord with DCL plug.

Maintenance

Disconnect the power to the fixture. Wipe with a barely damp cloth if necessary.

Subject to errors in text. We reserve the right to change the technical specifications (without notice).