

Classic LED 3000K

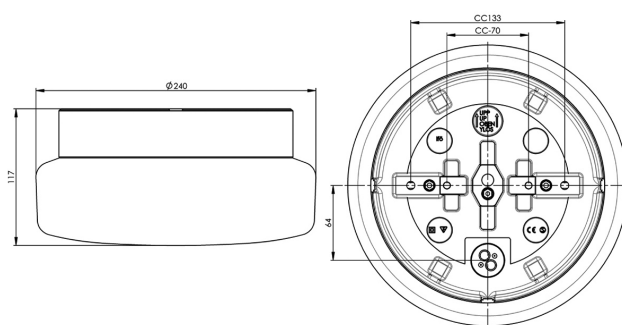
A old favourite in our assortment. Classic has a ceramic base and a shiny opal shade. It can be placed in the ceiling or on the wall, both indoors and outdoors. Equipped with a LED module, 13W.

EAN / GTIN	7312904091804
E-number	7501370
Article no.	4091-800-10
Type designation	8262/LED



Specification

Material	Porcelain
Base colour	White (NCS S 1000-N)
Glass	Shiny opal glass
Glass thread (mm)	185,5 mm
Glass gasket	Silicone
Weight	2,42 kg
Diameter (mm)	240
Height (mm)	117
Lamp holder	LED
Light source	LED module, 12W **
Effect	12W
Lumen, light source	1350lm
Lumen, luminare	1033
Colour temperature	3000K
MacAdam	3 SDCM
Life span	L80/B10: 50 000 h
Ra	Min 90
Rated voltage	230V
Dimmable	Back edge only - We recommend dimmers from ION, Schneider, Vadsbo and Niko
IP class	IP44
Insulation class	II
Energy class	E
D class	No
IK class	IK02
Ta	-30 - +25
Installation	Ceiling/wall
CC measurement (mm)	133, 70
Knock out opening	3
Cable inlet	Bottom inlet
Cable glands	Bottom inlet
Cable area, max	Max 3 x 2,5 mm ²
Bridging	Yes
Surface mounted cable	Yes
Connection	Terminal block
Family	Classic
Design	Ifö Electric



Maintenance

Disconnect the power to the luminaire. Unscrew the glass and clean it. Do not use detergents that contain solvents. Replace LED module if necessary. Check the gasket and replace it if necessary. Screw the shade back on.

Spare parts

Shade Classic shiny opal, Article no.: 1-6115

Gasket silicone for thread 185,5 mm, Article no.: 03431

LED module 12W 3000K IOT, Article no.: 1-54064-930

** Only use dimmers with manual trailing edge control. Do not use leading edge dimming or automatic setting as this can shorten the lifespan of the module.

If the luminaire is modified the person responsible for the modification shall be considered manufacturer. Subject to errors in text. We reserve the right to change the technical specifications (without notice).